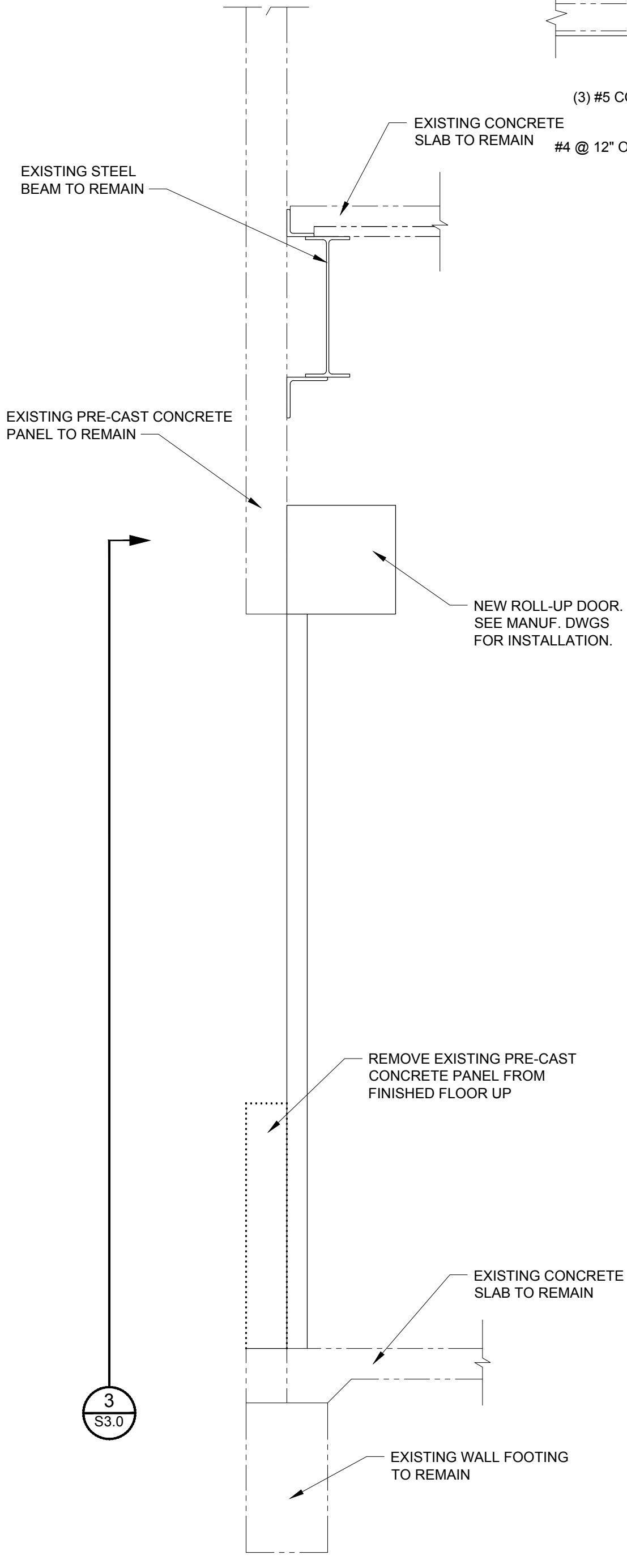
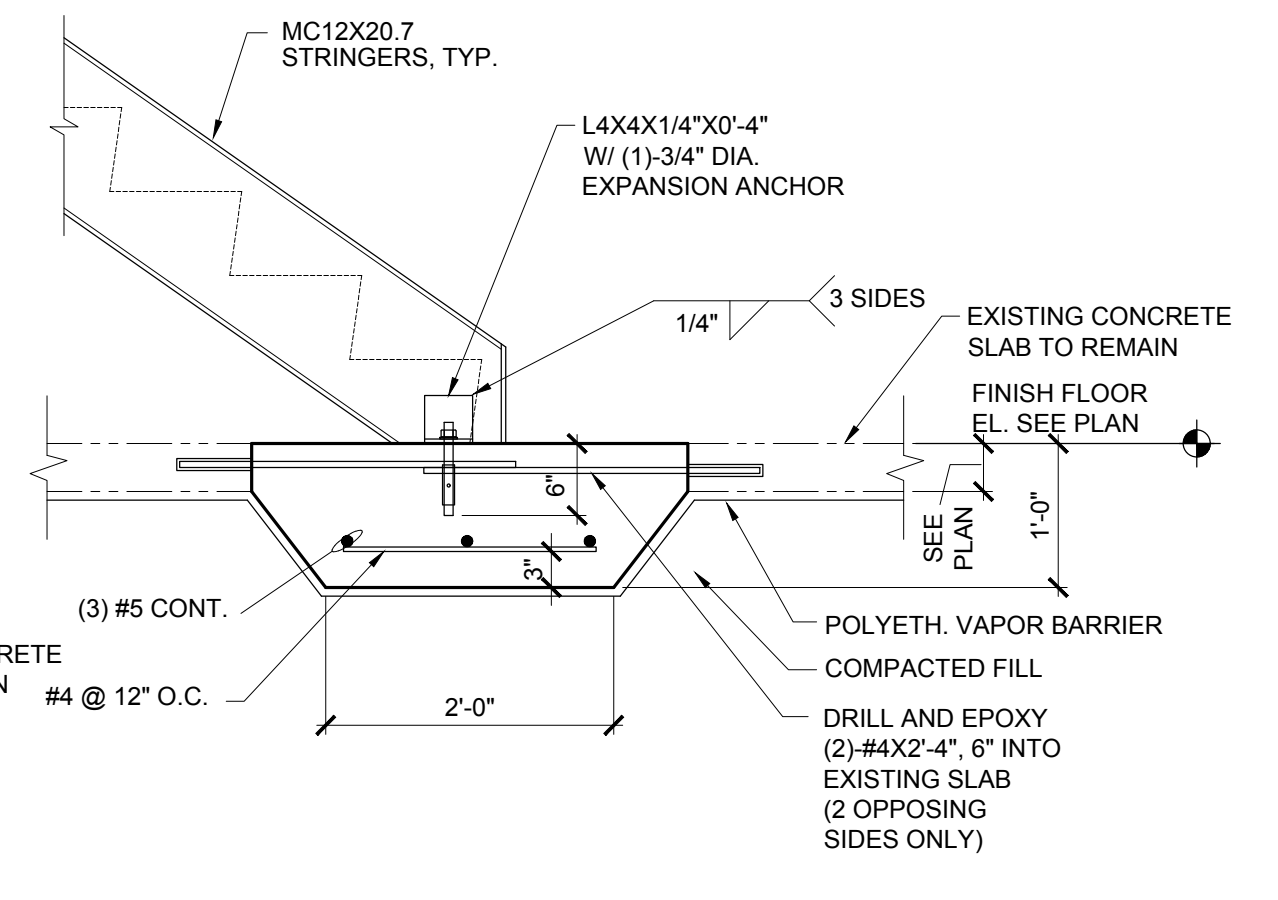


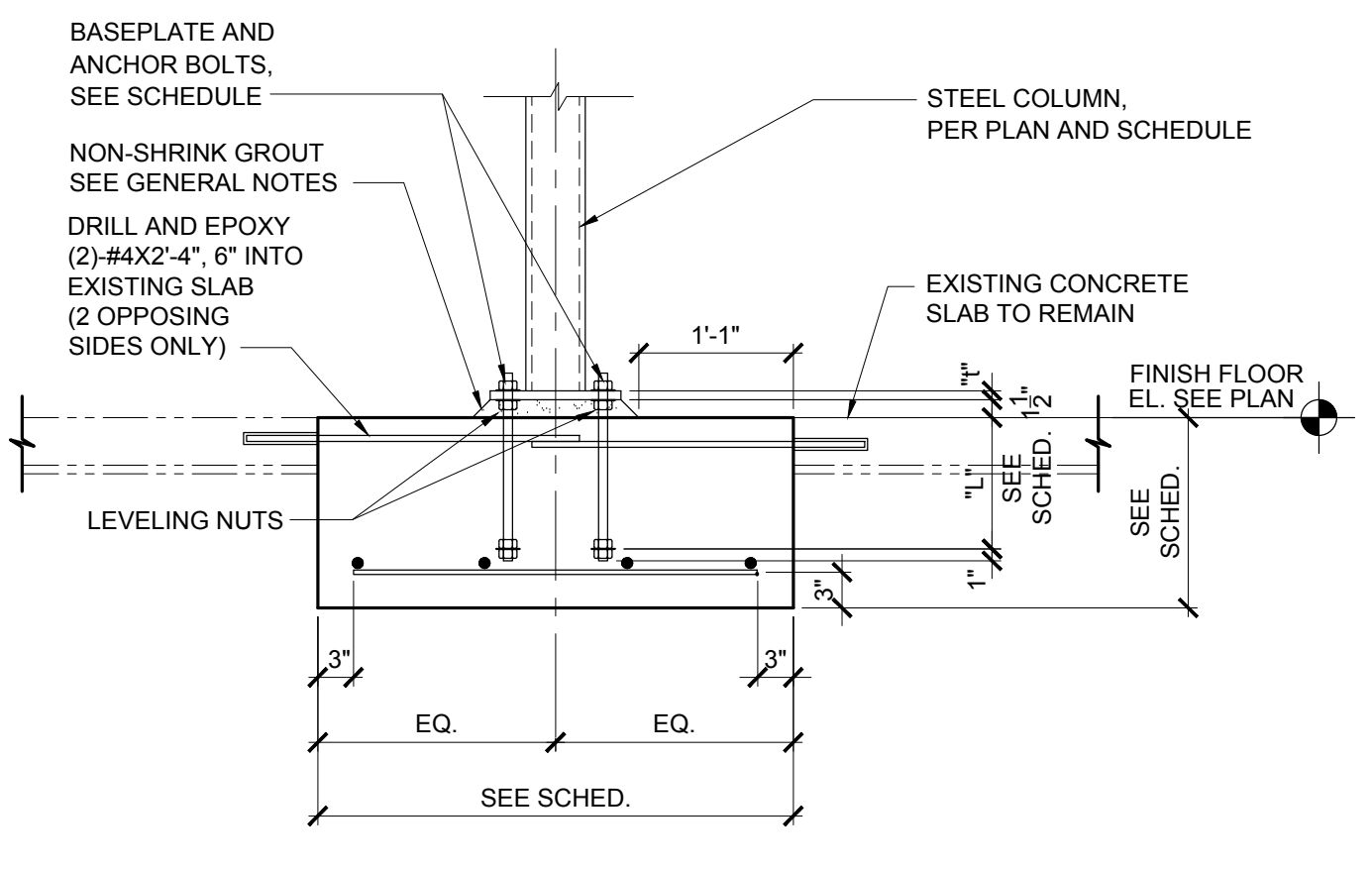
**1 SECTION**  
3/4" = 1'-0"



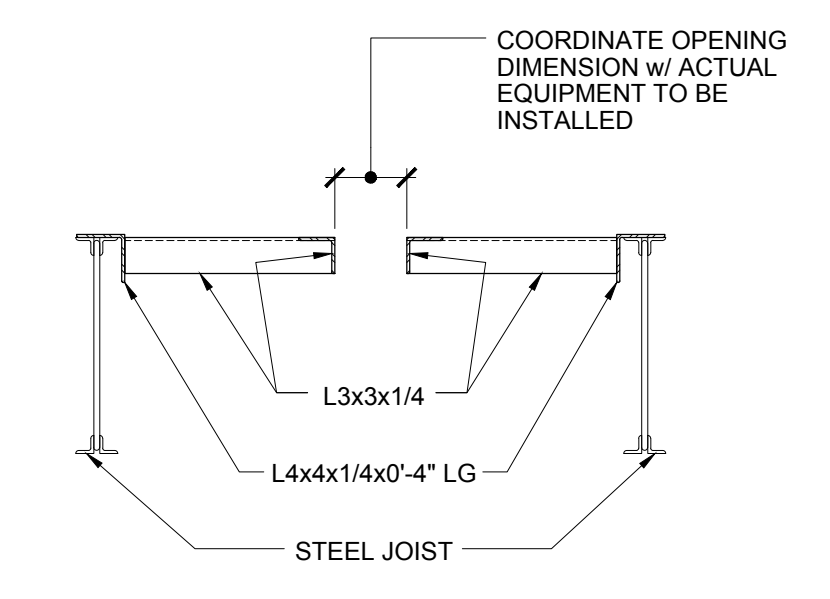
**2 SECTION**  
3/4" = 1'-0"



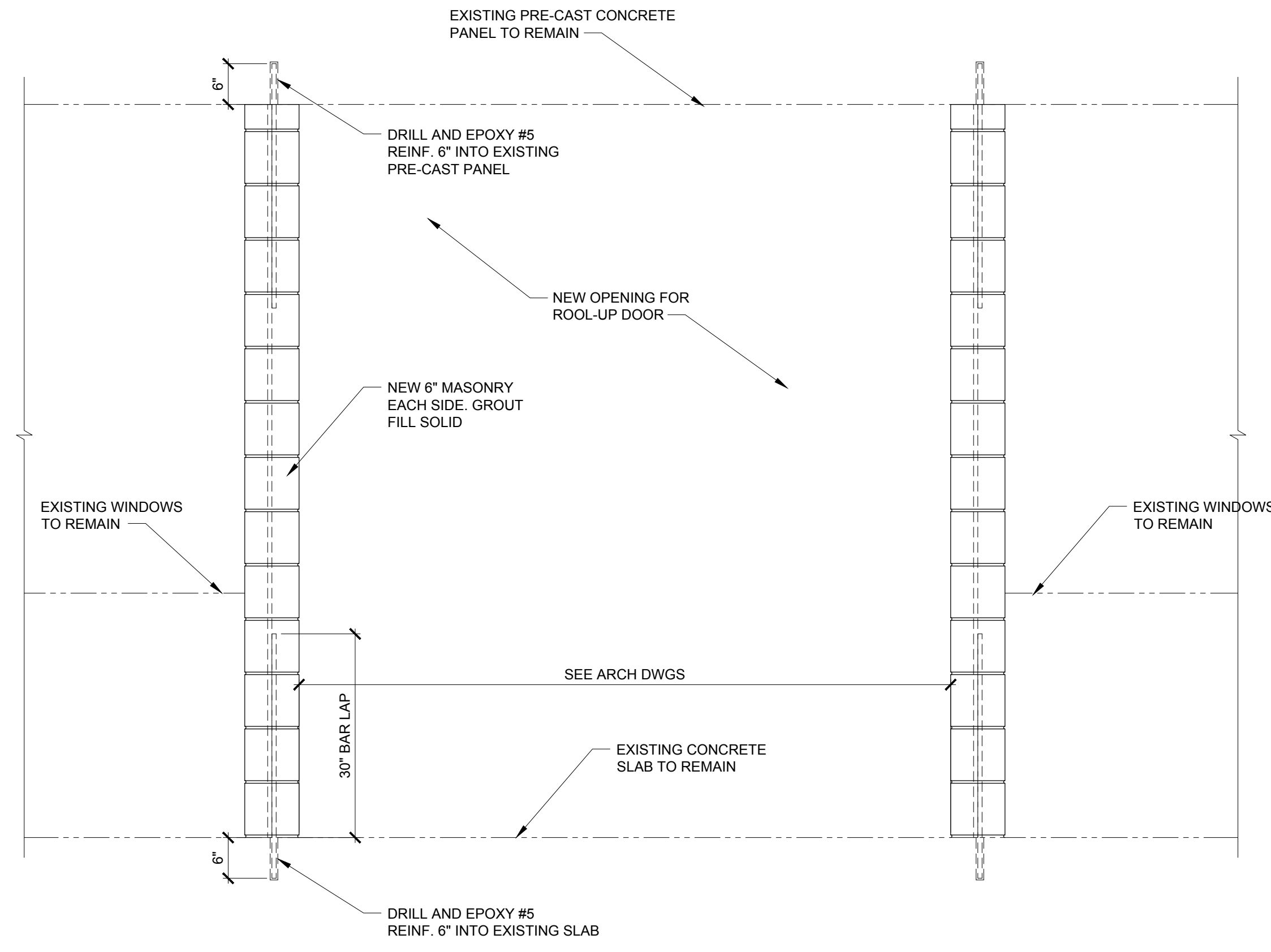
**3 SECTION**  
3/4" = 1'-0"



**4 SECTION**  
3/4" = 1'-0"

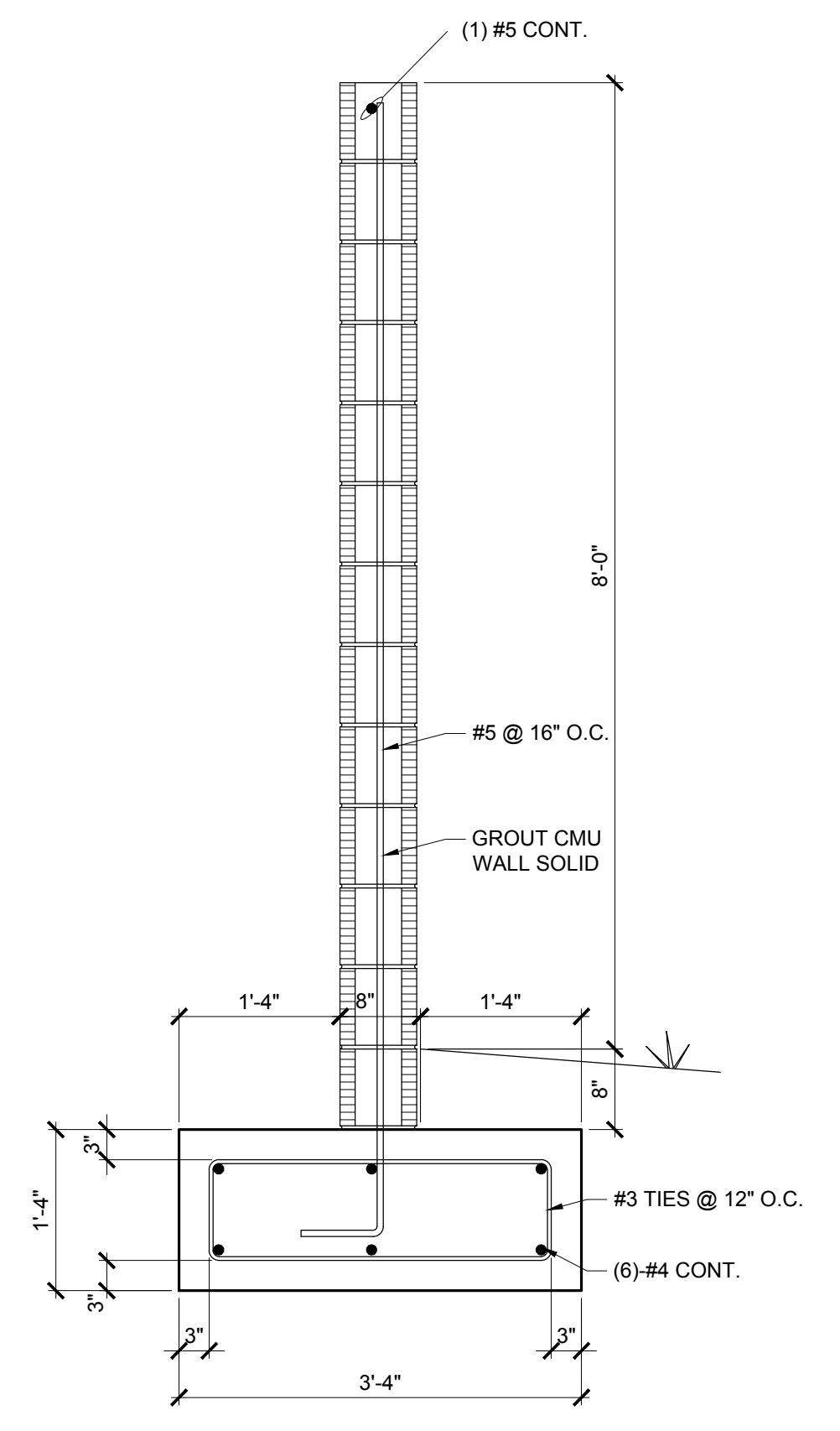


**5 ROOF OPENING SECTION**  
3/4" = 1'-0"



NOTE: SEE ARCHITECTURAL PLANS FOR LOCATIONS

**6 SECTION**  
3/4" = 1'-0"



**7 FREE STANDING SCREEN WALL**  
3/4" = 1'-0"

REV#	DATE	REVISION

261 west oak galle, suite 100  
melbourne, fl 32935  
tel: 321.253.1221  
fax: 321.253.1222  
www.ccegroup.com  
license #008097

**CONSTRUCTION ENGINEERING GROUP**  
consulting engineers

**RENOVATION TO THE FLORIDA TECH RESEARCH AND DEVELOPMENT CENTER**  
CENTER FOR ADVANCED MANUFACTURING AND INNOVATIVE DESIGN  
MELBOURNE FLORIDA

DRAWING TITLE  
**SECTIONS AND DETAILS**

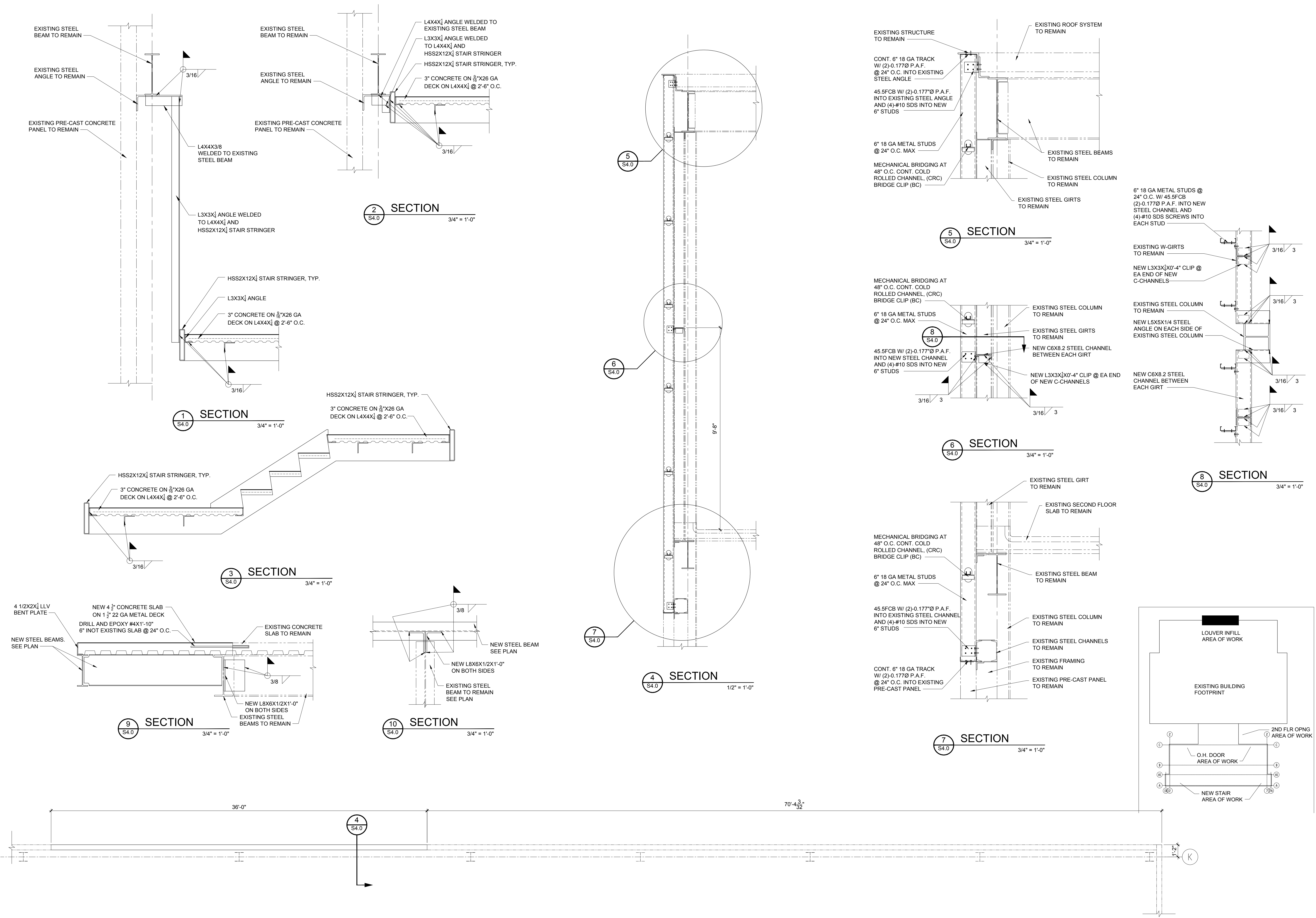
ENGINEER OF RECORD

THOMAS L. ADAMS  
LICENSE  
No. 55343  
STATE OF FLORIDA  
PROFESSIONAL ENGINEER

THOMAS L. ADAMS, PE  
PE #55343

DATE	01-16-17
SCALE	AS NOTED
PROJ. NO. :	2017002
DESIGNED BY:	TA
DRAWN BY:	CW
CHECKED BY:	TA
DRAWING NO.	S3.0

**S3.0**



REVISION	
DATE	
REV#	
2651 west oak galle, suite 100 melbourne, fl 32935 tel: 321.253.1221 fax: 321.253.1222 www.ccaengineering.com license #1008079	
<b>CONSTRUCTION ENGINEERING GROUP</b> consulting engineers	
<b>RENOVATION TO THE FLORIDA TECH RESEARCH AND DEVELOPMENT CENTER CENTER FOR ADVANCED MANUFACTURING AND INNOVATIVE DESIGN</b> MELBOURNE FLORIDA	
DRAWING TITLE <b>SECTIONS AND DETAILS</b>	
COPYRIGHT © STATEMENT THESE DOCUMENTS ARE THE PROPERTY OF THE ENGINEER AND ARE TO BE USED ONLY FOR THE PROJECT AND SITE SPECIFICALLY IDENTIFIED ON THESE DOCUMENTS. ANY REUSE, REPRODUCTION, OR MODIFICATION OF THESE DOCUMENTS WITHOUT THE EXPRESS WRITTEN CONSENT OF THE ENGINEER IS PROHIBITED BY LAW.	
ENGINEER OF RECORD THOMAS L. ADAMS LICENSE No. 55343 STATE OF FLORIDA PROFESSIONAL ENGINEER THOMAS L. ADAMS, PE PE #55343	
DATE	01-16-17
SCALE	AS NOTED
PROJ. NO. :	2017002
DESIGNED BY:	TA
DRAWN BY:	CW
CHECKED BY:	TA
DRAWING NO.	S4.0